



innovation in wood

SLIP RESISTANCE

Injuries in personal accidents are most frequently caused by falls in their own familiar surroundings, namely in or around their own home. The importance of a properly designed, installed and maintained decking surface is therefore not to be underestimated.

Such a decking with Accoya®, if used appropriately, should, according to independent testing, provide the safety desired for application in both public as well as private areas, while combining this with the natural beauty of wood.

ABOUT ACCOYA®

Accoya® is the world's leading high technology wood. It is produced from sustainably sourced, fast growing softwood using a nontoxic modification process from the surface to the core. The result is a durable, stable and beautiful material with the performance characteristics of the most durable tropical hardwoods but with industry-leading environmental credentials.

A new world of sustainable and low maintenance products including windows, doors, decking and cladding is available using Accoya®. The exceptional durability provides for a minimum 50 year above ground and 25 year inground life.



V 08.15 – these guidelines have been written for professionals wishing to use Accoya® to create beautiful, reliable and highly durable end products. Should you require further information or have any comments about this document, please contact Accsys through www.accoya.com.



Accoya® and the Trimarque Device are registered trademarks owned by Titan Wood Limited, trading as "Accsys Technologies", a wholly owned subsidiary of Accsys Technologies PLC, and are used under licence by Rhodia Acetow GmbH ("Rhodia"). The trademarks Accoya® and the Trimarque Device may not be used or reproduced without written permission from Accsys Technologies.

Accoya® wood should always be installed and used in accordance with the written instructions and guidelines of Rhodia and/or Accsys Technologies and/or their agents (available on request). Rhodia and Accsys Technologies accept no liability for any defect, damage or loss that may occur where such written instructions and guidelines are not adhered to. No liability is accepted in relation to any coating, fastener or other product of a third party applied to Accoya® wood. Please refer to [accoya.com/downloads] for further information and full terms and conditions. This document contains copyright material owned separately by Rhodia and Accsys Technologies.

©Rhodia Acetow GmbH 2017 ©Titan Wood Limited 2017.



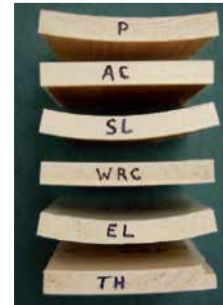
GENERAL CONSIDERATIONS

The technical brochure 'Timber Decking Boards' by the research and development institute Holzforschung Austria (2014) lists that the slip behaviour of wooden decking boards depends on different factors such as degree of weathering, surface profiling, coating and maintenance (presence of a biofilm of bacteria, fungi and algae).

Accoya® was included in the research project that formed the basis of above mentioned brochure. General considerations on slip resistance are summarised as follows:

- Most dry timber decking boards can be considered as sufficiently slip resistant.
- When wet, the slip resistance of decking boards is decreased by approximately 35% in comparison with dry circumstances and are therefore considered more slippery.
- If decking boards are coated, stains are more suitable in terms of slip resistance than oils, although that is heavily dependent on the particular coating system and the cleaning maintenance.
- Smooth surfaces have a higher coefficient of sliding friction compared to grooved surfaces, and are therefore less slippery.
- The surface profile (smooth / grooved) of the decking boards appears to have no influence on the growth of microorganisms.
- There are seasonal variations in the biomass amount for all groups of organisms, but there tends to be less growth in the spring than in autumn. Cleaning with water and brush removes "lubricants" such as biofilm, leaves, sand, stones and the like, and is therefore recommended.
- Generally, WPC decking boards tend to be more slippery than timber decking boards.

Accoya® was the only wood that did not cup in this BM Trada trial. From top to bottom: Pine, Accoya® Wood, Siberian Larch, Western Red Cedar, European Larch and Thermowood.



AVOID TRIPPING

Apart from the skid resistance performance, tripping hazards must also be considered. A functional, safe and durable fixing is required in order to reduce deformations due to hydrothermal effects (as cupping and twisting). Because of the dimensional stable nature of Accoya®, deformations due to swelling and shrinking of the wood will be minimal.

MAINTENANCE

The presence of a biofilm (moulds, yeast, algae) on the wood surface has a large influence on the slip resistance. To prevent a large buildup of such a layer, it is recommended to clean the deck regularly with water and a soft brush and to keep it as dry as possible. This can be achieved by designing the deck in such a way, that (rain) water is easily drained off, by ensuring sufficient ventilation around the boards and by avoiding permanently dark and shaded areas.

TEST RESULTS

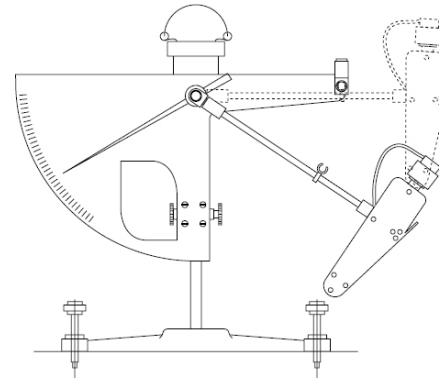
Accoya® decking boards have been tested in several countries and to different test methods, resulting in a full range of usage situations from private homes (as shower areas) to swimming pools, shop entrances, exterior public staircases and even public kitchens.

TEST METHODS

Various test methods are used to determine the 'slip resistance' of a surface, but to date no method has been universally accepted by European or international standards, nor do many countries have official requirements covering the slip resistance of flooring surfaces

The slip resistance or sliding friction of a surface is dependent on the vertical force acting on the body and on the friction coefficient of that surface, in which the latter depends on the texture (roughness) of the surface. There are no objective test methods to measure this, as every person (and their footwear) is different.

Some of the many test methods available approach practical experience and are therefore recognized. Although some of these tests result in values with a similar name (coefficient of friction), it is important to realise that it is impossible to reliably convert the results from one test to another because the test principles differ and lubricants used - which have a major influence on the slip resistance of any surface - vary between tests.



BRITISH PENDULUM TEST

TimSpec, an Accoya® distributor in New Zealand, has commissioned slip resistance testing according to AS/NZS 3661.1 at OPUS International Consultants, Petone, on several of their profiled and unprofiled decking boards. The results for the wetted boards, tested along the grain / surface texture lines are:

- Uncoated, rough sawn 0.47
- Uncoated, band sawn (notch profile) 0.37
- Uncoated, band sawn (notch profile) 0.47

In the UK, the minimum value expected under Health & Safety Executive regulations and UK laws for a wetted floor is 36 (0.36).

For more information on this subject, please contact your local sales office.

VALIDITY

Note that all test results on Accoya® decking boards are only valid for the circumstances described in the test reports and for the specific Accoya® decking boards that were tested, including dimensions, profile details and surface finish.

Generally speaking, the results for Accoya® are comparable to unmodified wood species with the same surface specifics.

RAMP TEST

Enno Roggemann GmbH & Co. KG, a German distributor of Accoya®, has slip resistance tested according to DIN 51130 at the MPA Bremen on several of their profiled and unprofiled decking boards:

- ACCOYA® LABELLA COMFORT
- oil coated, length orientation R11
- oil coated, perpendicular orientation R11

- ACCOYA® (SMOOTH)
- uncoated, length orientation R11
- uncoated, perpendicular orientation R12

The lowest possible class resulting from this test is R9 with R13 being the highest - the higher the R rating, the higher the slip resistance. For example, Class R11 applies for shop entrances and exterior public staircases and class R12 applies for public kitchens.